

# Ranging Coil

SensComp Electronic Component – Ranging Coil

## Features

Used on the SMT 6500 Ranging Modules and the Smart Sensor Modules

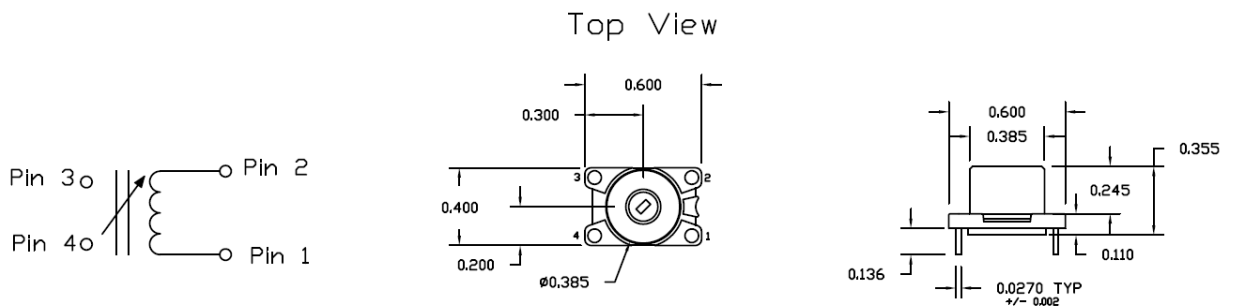
## Part No.

\*PID# 614095LF – Ranging Coil  
\*RoHS Compliant

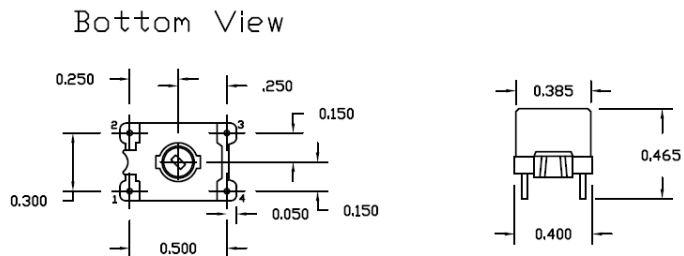
## Specifications

<b>Nominal Inductance</b> .....	1.04 mH
<b>Minimum Adjustment Range</b> .....	0.96 – 1.13 mH
<b>Test Frequency</b> .....	50 kHz
<b>Storage Temperature</b> .....	+25°C Ref.
<b>Operating Temperature</b> .....	-34°C to +85°C

## Specifications



Dimensions: Inches.  
Tolerance: +/- 0.005 except where noted.



## SENSCOMP PRODUCT SPECIFICATION SHEET DISCLAIMER NOTICE

Information provided in this document is proprietary to SensComp, Inc. ("SensComp") and SensComp reserves the right to make corrections, enhancements, improvements and other changes to its products, specification sheets and data, and to discontinue any product at any time, without further notice. Buyer should obtain the latest relevant information before placing an order and should verify that such information is current and complete. All products are sold subject to SensComp's terms and conditions of sale in effect at the time of order acknowledgment.

SensComp disclaims any and all liability for any errors, inaccuracies or incompleteness contained in any specification sheet or in any other disclosure relating to any product. Information contained herein is strictly for reference and subject to change without notice. SensComp is not liable for any damages that the reader or any third person might suffer as a result of the reader ignoring this warning.

SensComp makes no warranty, representation or guarantee regarding the suitability of the products for any particular purpose. SensComp disclaims (i) any and all liability arising out of the application or use of any product, (ii) any and all liability, including without limitation special, consequential, or incidental damages, and (iii) any and all implied warranties, including warranties of fitness for a particular purpose, non-infringement, and merchantability.

Any performance specs are believed to be reliable but are not verified, and buyer must conduct and complete all performances and other testing of the products, alone and together, with, or installed in any end-product. Buyer shall not rely on any data and performance specs or parameters provided by SensComp.

SensComp assumes no liability for applications assistance or the design of Buyer's products. Buyer is responsible to independently determine suitability of any products and to test, verify and validate its products, designs and applications using SensComp's products or components. To minimize the risks associated with Buyer's products and applications, Buyer should provide adequate design and operation safeguards.

The information provided by SensComp here under is provided "as is, where is" and with all faults, and the entire risk associated with such information is entirely with buyer. SensComp does not grant, explicitly or implicitly, to any party any patent rights, licenses, or any other IP rights, whether with regard to such information itself or anything described by such information.

SensComp products have been subject to limited testing and are not authorized for use in aircraft, aviation, nuclear, medical, or safety-critical applications including, but not limited to, life support, and where a failure of the SensComp product would reasonably be expected to cause severe personal injury or death.