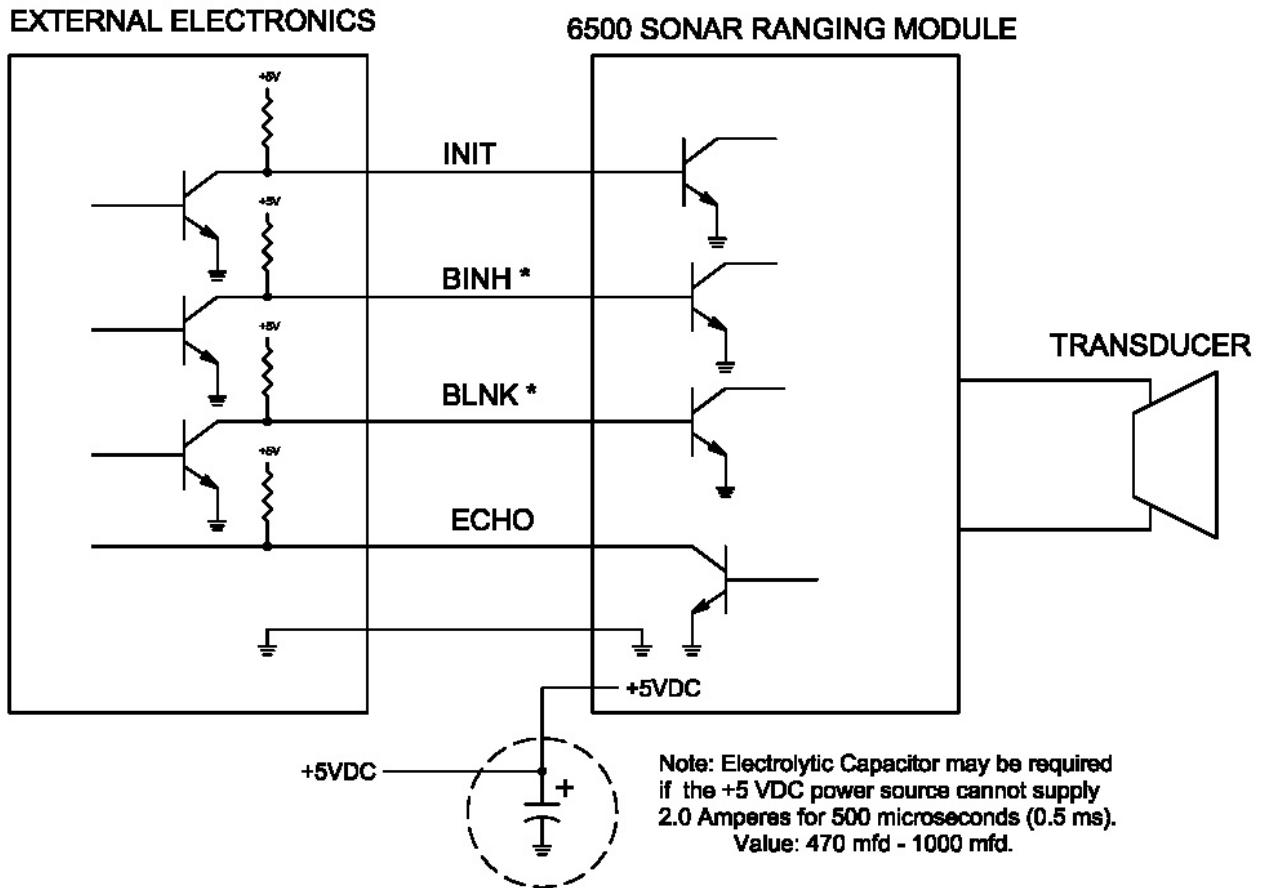


Connecting External Circuits to the Ranging Module or Smart Sensor



Note: BINH and BLNK can be left unconnected or tied to a logic LOW (ground) connection if not used.

The #615078 Ranging Module will require an external 4.7K ohm pull-up resistor on the ECHO output if not part of the external circuit inputs. The 6500 Enhanced module (#615079) and the Smart Sensors contain internal 4.7K ohm pull-up resistors.