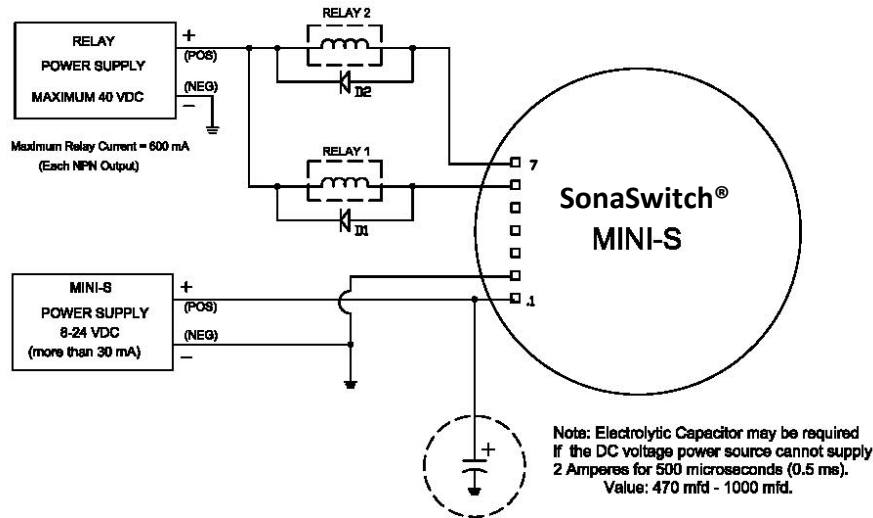


Mini-S Relay Interface

Connecting Relays to the SonaSwitch® MINI-S Ultrasonic Sensor

The Figure below shows the basic connections needed for the SonaSwitch® Mini-S Ultrasonic Sensor to turn on and off relays at two different set-point distances.



Either two separate power supplies, one for the relays and one for the SonaSwitch® MINI-S power, can be used. Or a single 12 VDC (or a 24 VDC) power supply could be used for both the Sensor and the relays (such as for using a 12 VDC, or a 24 VDC, relay).

Relay 1 and Relay 2 can be any DC relay consuming a current of less than 600mA. The relay coil voltage can be up to +40 VDC maximum.

Recommended snubber diodes D1 and D2 prevent relay coil reverse voltage flow into the SonaSwitch® Mini-S when power is removed from the relay coils. A typical diode used is a 1N4002 or equivalent.

